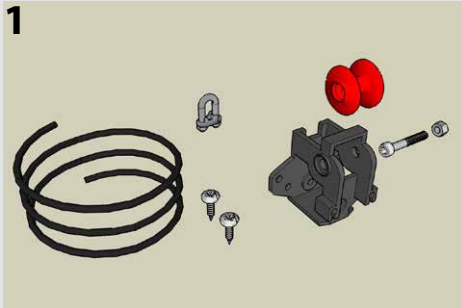
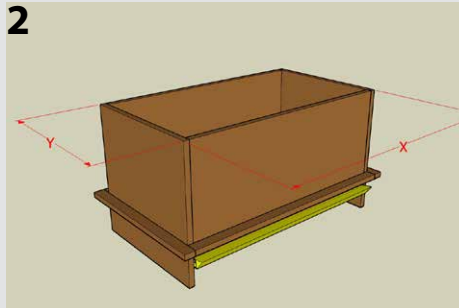




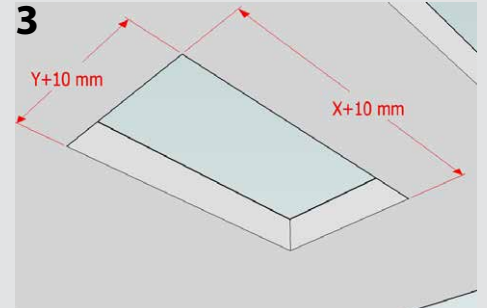
## EN: Mounting HPL Inlet (horizontal ceiling inlet)



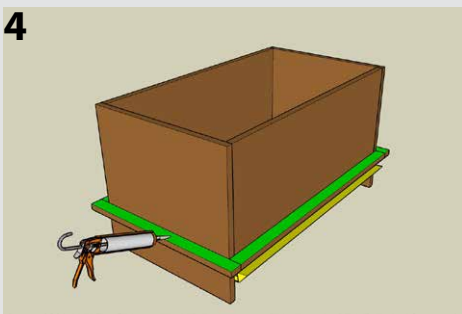
Connection set



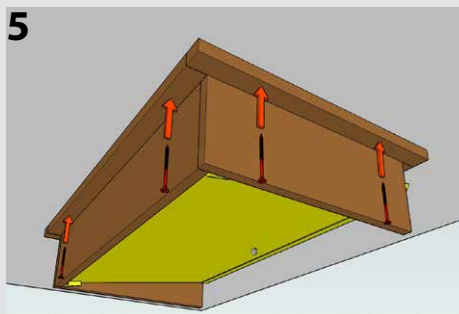
HPL with size X and Y



Make a hole in the ceiling 10 mm bigger than X and Y

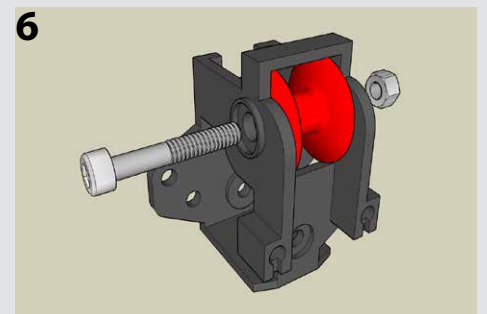


Apply glue behind the flange to make the inlet air tight in the roof

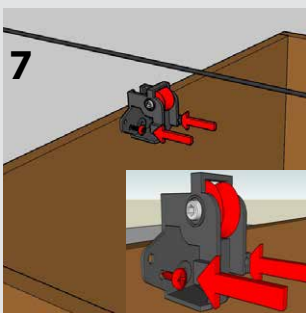


Mount with 8 screws, 2 pieces per flange

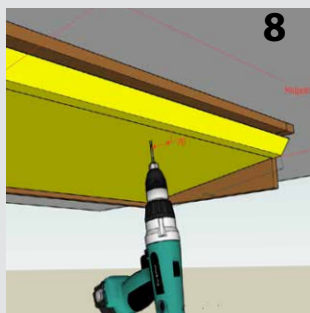
NB: screws are not delivered by Tulderhof



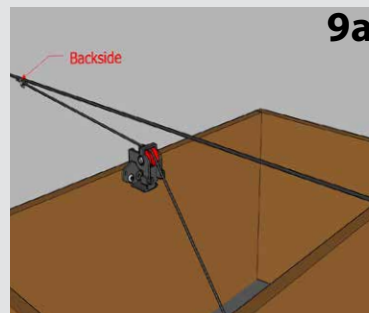
Assemble roller



Screw the roller on the top of the inlet with 2 screws, make sure the roller is 20 - 30 mm above the top of the inlet.



Drill a hole of 5 mm. Line the hole out in the centre of the inlet, 70 mm from the opening side



Place the rod or wire over the inlets and

Depending on where the winch is, connect the rope with a cable clamp to the Backside (9a) or Frontside (9b)

