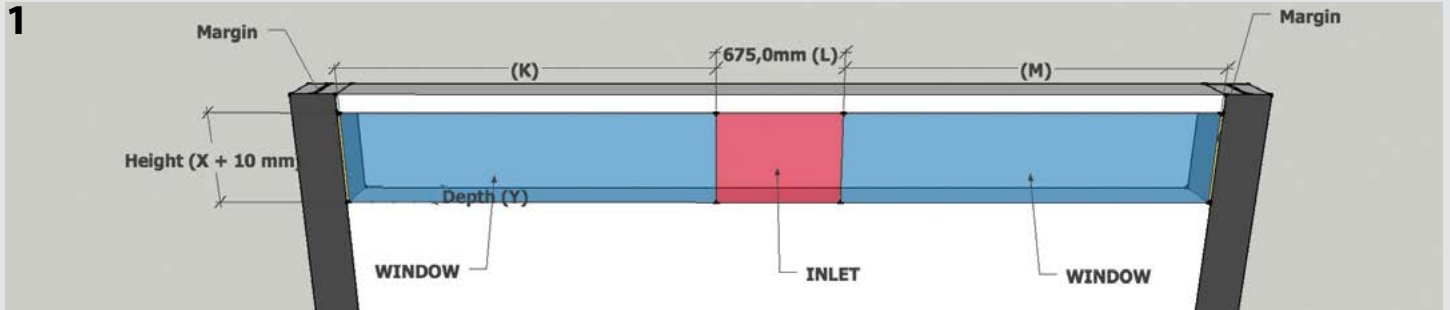




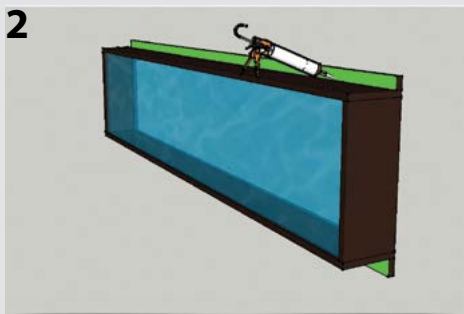
Black out side windows with Flash 3300

Important : The wall around the hole should be completely flat/even

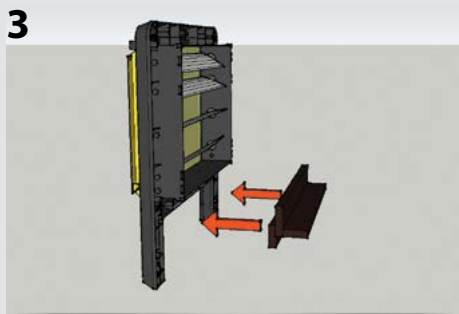


Important: Dimensions for the light street!
Check your order

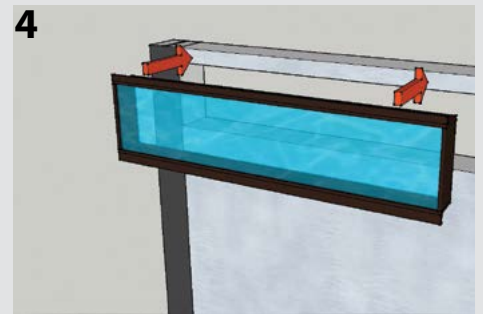
Important: Mounting set for windows
not included



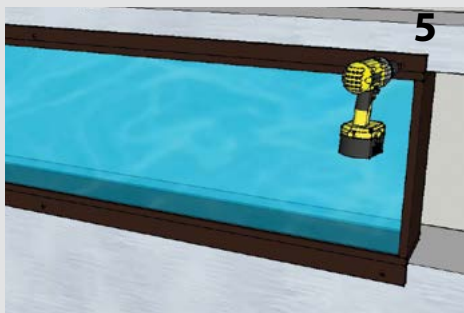
Apply a glue on the interfaces



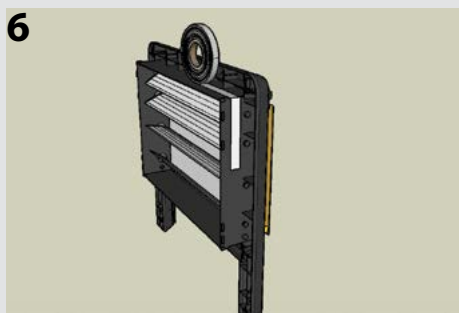
Place the wooden block for air inlet



Place the light street according to
the dimensions of your form



Screw down the light street



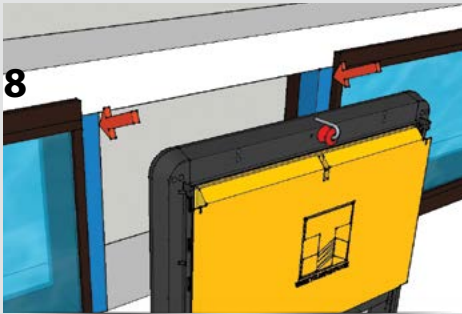
Fix the swelling tape



You need 675 mm between the
windows for Flash inlet

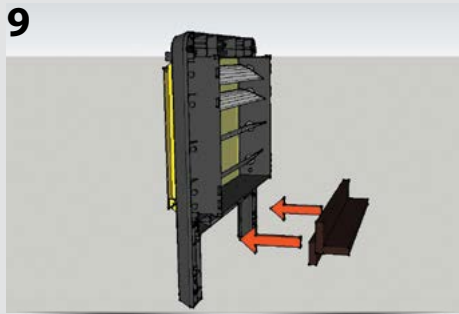


Height \leq 400mm

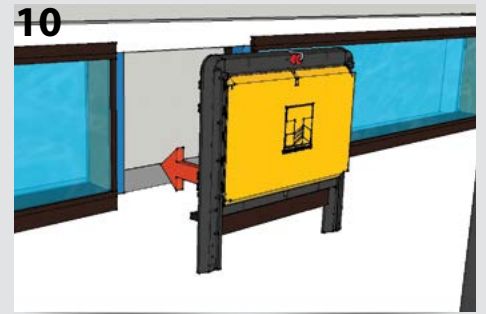


Screw down the inlet onto the block

Height $>$ 400mm

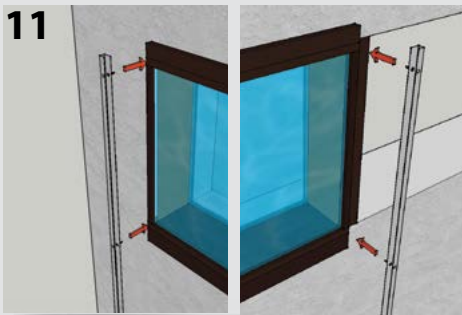


Fix the extra wooden planks

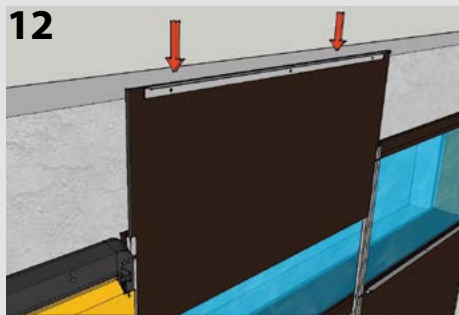


Screw down the inlet onto the block

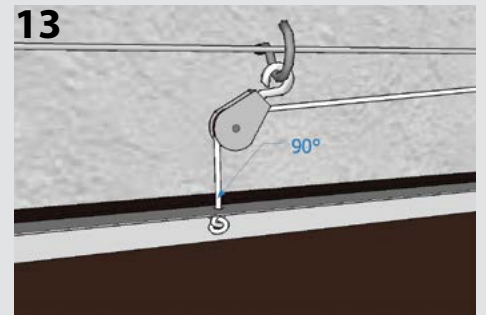
Black out



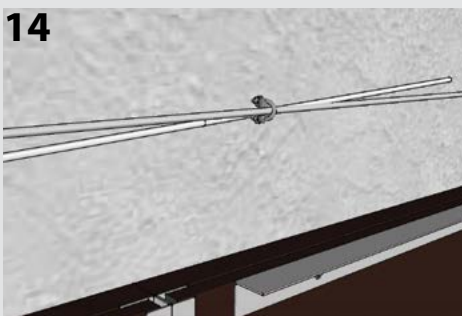
Place the guides left and right



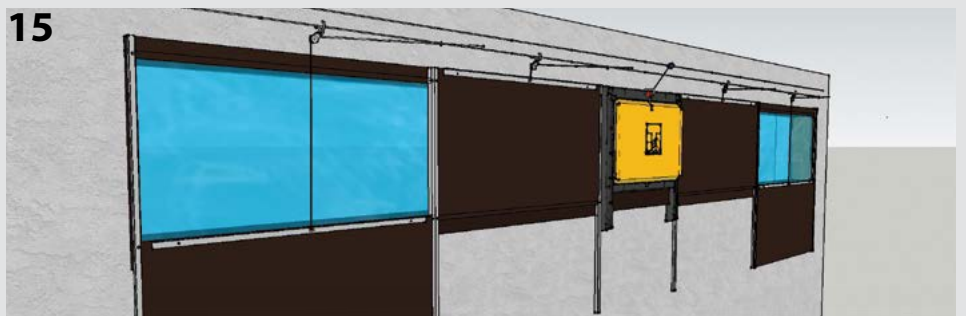
Place the black out slide



Place the screw in hooks and fix the pulley to the slide. Important: The rope must be fixed straight!



Fix the rope with a steel wire clamp to the steel wire



Result